



FAS - LPG Dispenser Technology
Safety - Precision - Reliability



LPG Dispensers and Autogas Filling Stations



▶ LPG DISPENSERS

With a KNOW HOW of more than 40 years in the field of planning, engineering and construction of LPG dispensers and Autogas filling stations, FAS has worldwide references with more than 13.000 manufactured dispensers.

The electronic dispensers with complete hose system (single or double hose) and stainless steel housing are especially constructed for the discharge of LPG (propane / butane). They can be operated centrally as part of a petrol filling station or as an independent unit.

▶ Standard models:



Type FAS-120

Type FAS-220

Type FAS-230

Type FAS-230
„HIGH MAST“

▶ Key Benefits:

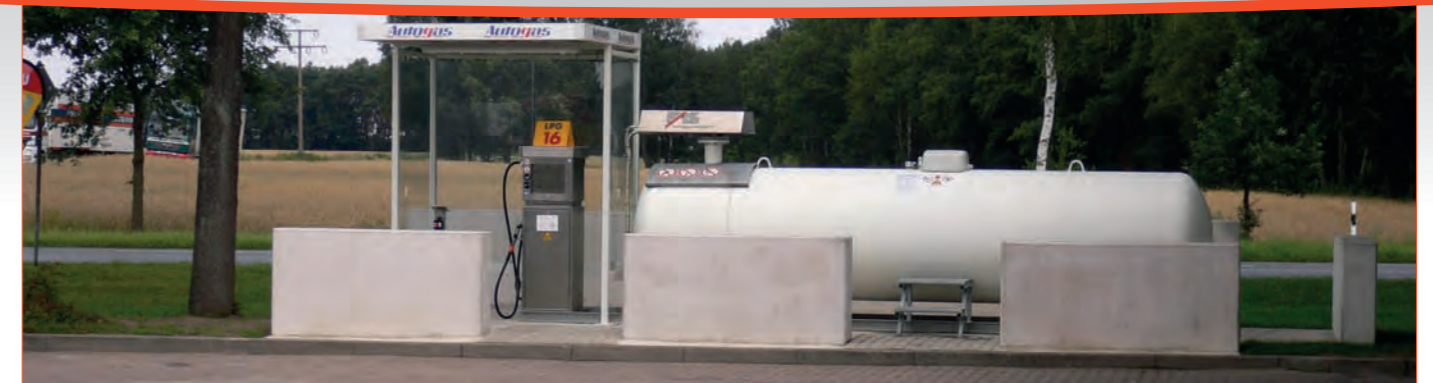
- ▶ Long lifetime
- ▶ Low maintenance cost
- ▶ High precision, accuracy, reliability
- ▶ Different types of filling nozzles available
- ▶ Execution with piston or mass flow meter
- ▶ Hose retraction system

▶ Options:

- ▶ Preset function
- ▶ Temperature volume compensation TVC
- ▶ Receipt printer



▶ Autogas filling station with underground storage tank, pump unit and dispenser in petrol station design, ready for connection to the respective point-of-sales system.



The compact filling stations are equipped with an aboveground tank and pressure increasing pump, with dispenser and optionally with weather protection roof. They include all required safety equipment and are mounted on a galvanized base frame. They are designed according to customer request and to local regulations.

▶ COMPACT LPG FILLING STATION

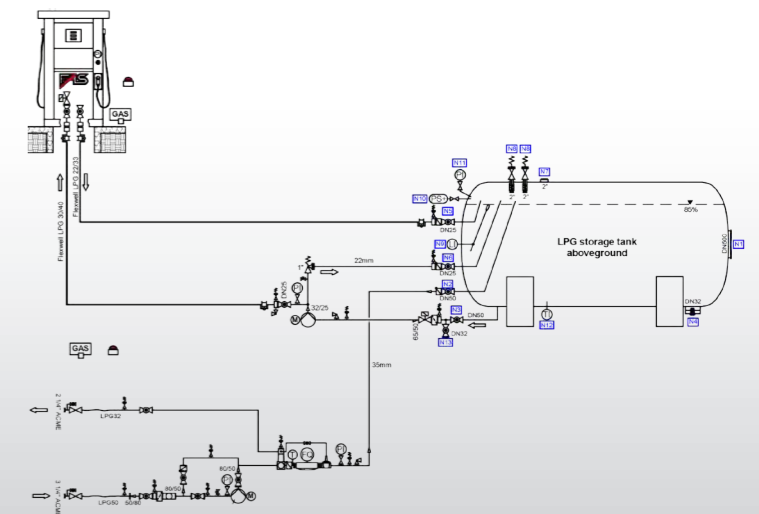
▶ Options:

- ▶ Different types of LPG dispensers available
- ▶ Execution with supply or submersible pump
- ▶ Different sizes of LPG storage tank
- ▶ Underground storage tank with suction or submersible pump
- ▶ Execution with one or several storage tanks
- ▶ Weather protection roof
- ▶ Truck unloading point for storage tank



▶ Version with supply pump and dispenser type FAS-420 (with fleet card or credit card)

▶ TURNKEY SOLUTION



▶ LPG DISPENSING & FILLING UNIT COMBI-FILL, TYPE FAS-220-WM

With the electronic LPG dispensing unit COMBI-FILL, type FAS-220-WM, vehicles can be filled up with autogas on one side and LPG cylinders of different sizes (1-50 kg) can be filled on the other side simultaneously.

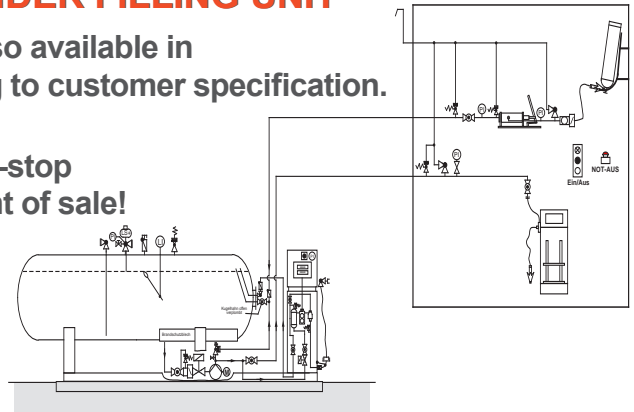


▶ SKID MOUNTED AUTOGAS & LPG CYLINDER FILLING UNIT

The skid mounted LPG cylinder filling units are also available in combination with an Autogas dispenser according to customer specification.



▶ Your one-stop
LPG point of sale!

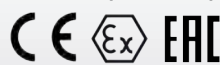


▶ Key Benefits:

- ▶ Low investment
- ▶ Low maintenance cost
- ▶ Reliability, precision, long lifetime
- ▶ Fast and easy installation



▶ Certified according to DIN EN ISO 9001
SCC** (Service)



Flüssiggas-Anlagen GmbH

Peiner Straße 217
38229 Salzgitter - Germany

Phone: +49 5341 8697-0
Fax: +49 5341 8697-11

E-Mail: info@fas.de
www.fas-engineering.de

www.fas.de