

Printer

The ticket printer TMU 295 can optionally be set up in the cab, or directly on the tank. Installation "on the tank" allows the user-friendly replacement of LPG-swap trailer without any division of electrical connections.



Delivery ticket

The delivery ticket is to be free configured accordingly to current customer requirements. The delivery information may vary depending on country-specific requirements.



Hose reel

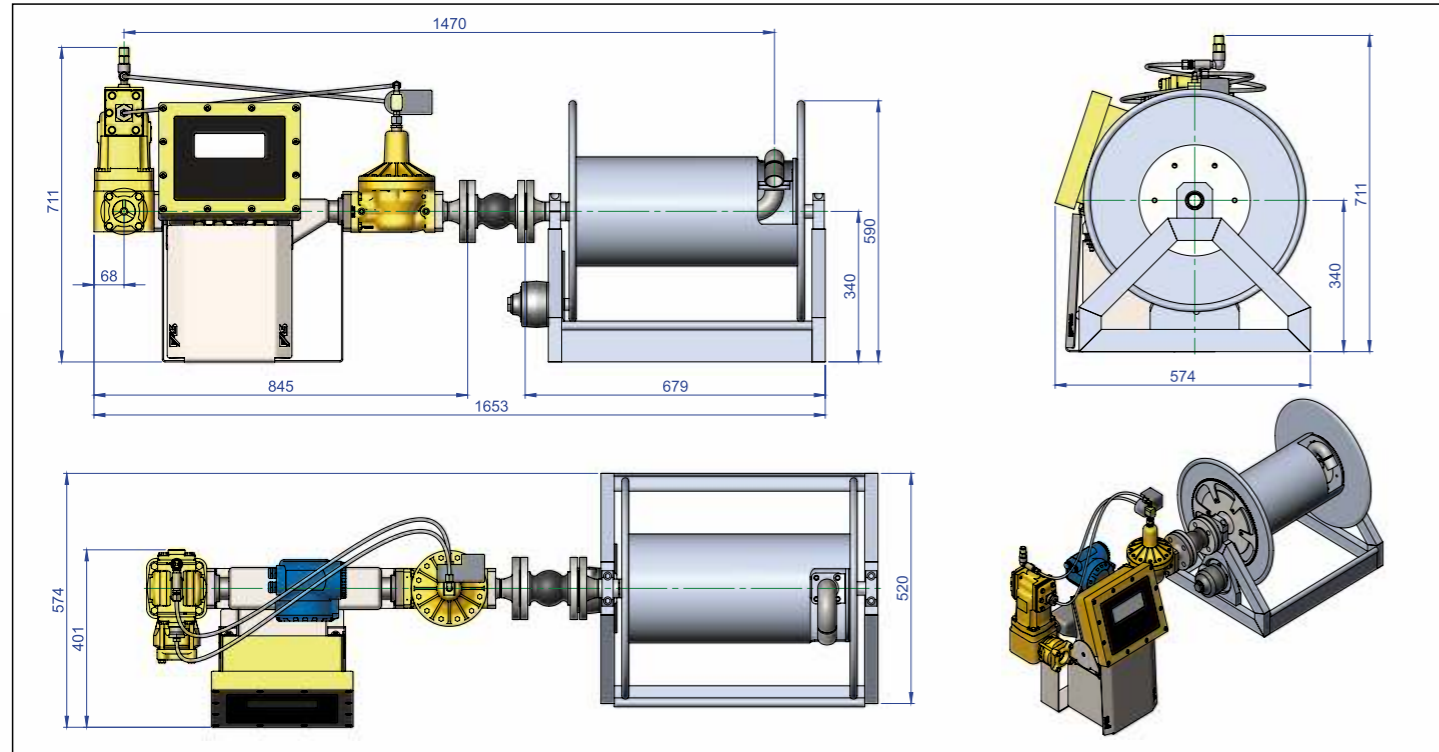
The hose reel Type VIP 40 in a ALU-light version was developed specially for road tankers.

Connections: Inlet DN 40; Outlet 1-1/2"NPT
LPG-hose: DN 32/DN 40. Length approx. 40 meter



Hose reel + measuring unit

Modular structure allows flexible installation conformable to available space and requirements of road tankers manufacturers. Delivery in a set including necessary fittings is possible.



New generation of measuring systems for LPG road tankers

LPG-Control MID 400



WE HAVE LISTENED

and you save:

- PLACE!
- WEIGHT!
- MONEY!

WITH ENERGY, SAFETY AND COMPETENCE

Technical parameter of unit:

The new FAS-measuring unit for LPG road tankers has been developed in a very intensive cooperation between FAS Flüssiggas-Anlagen GmbH, Endress & Hauser and producer of electronic CETIL.

Essential for the success was the open communication with various gas companies and road tankers manufacturers in various European countries.

Result of this activity - a measuring system which meets all current requirements of operators and manufacturers and leads to a price reduction.

Following special features of mechanical block:

- Flexible layout of connections (90° or 180° run)
- Expansion of preset option at any time
- Space saving installation
- Electrical switch box is not applicable
- Coriolis meter in a special design

of electrical block:

- Electronical register in Ex de-execution
- Data transfer via MODBUS-Interface
- Filling optionally in kilograms and / or liters
- Density registration and report (upon need)

The complete unit will be delivered with MID-Approval and acc. to ATEX and PED 97/23 EG.



Technical parameter of ME 3000 Registers:
MME 3000 Register was developed for use in mobile transport units for measuring of flammable liquids and gases: LPG, fuel oil, diesel and petrol products.

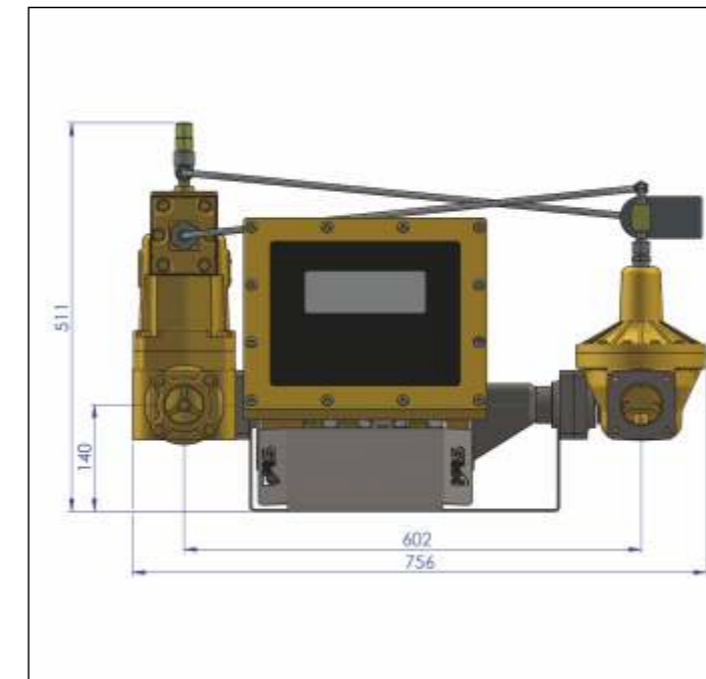
Case	Ex d (ia) II B T6
Voltage	24 V DC
Memory of deliveries	300
Memory of changes	250
Memory of troubles	200



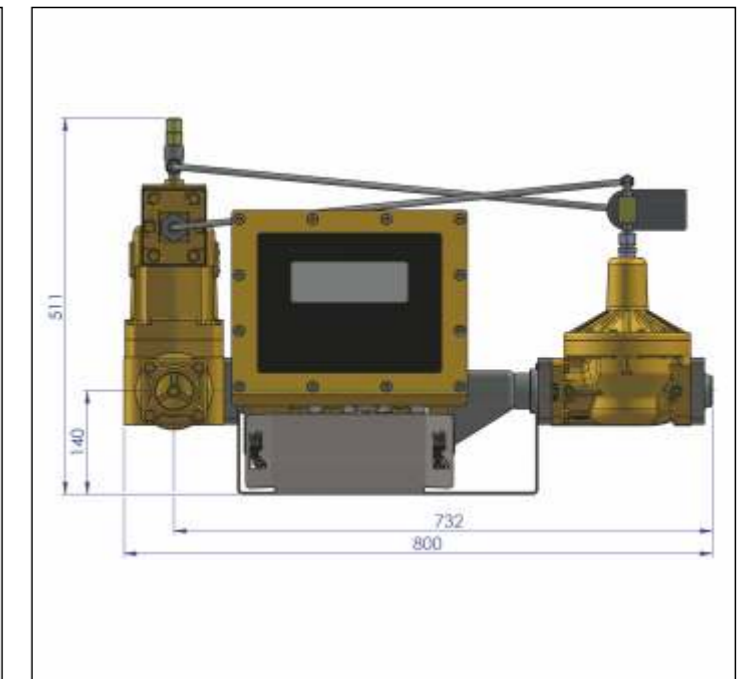
Metrological data

Parameter	Marking	Unit	Value
Accuracy class	-	-	1,0
Maximum flow rate	Q max	l/min; kg/min	450; 220
Minimum flow rate	Q min	l/min	60; 40
Minimum measured quantity	MMQ	l; kg	50; 25
Maximum working pressure	Pmax	Bar	25,0

The measuring system is produced in two main versions:



Version 1



Version 2