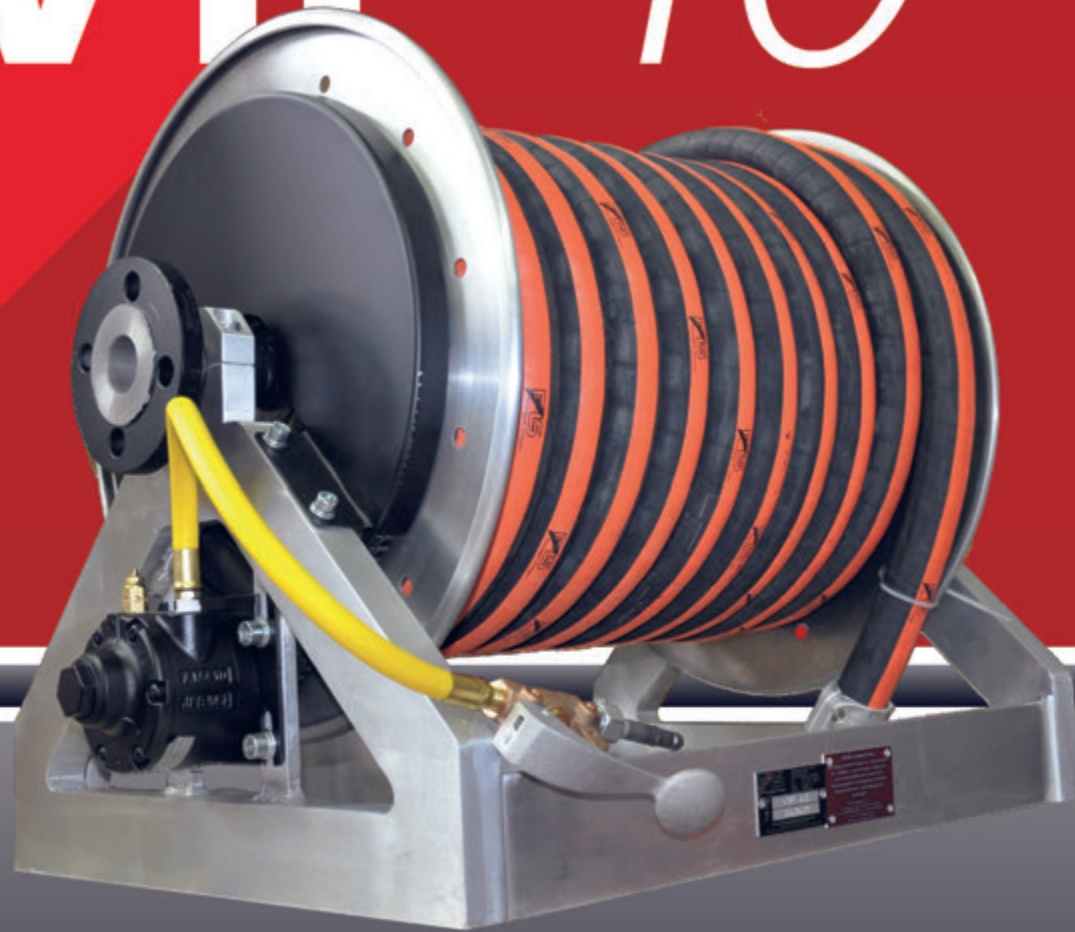


New Hose-Reel for LPG-Road Tankers

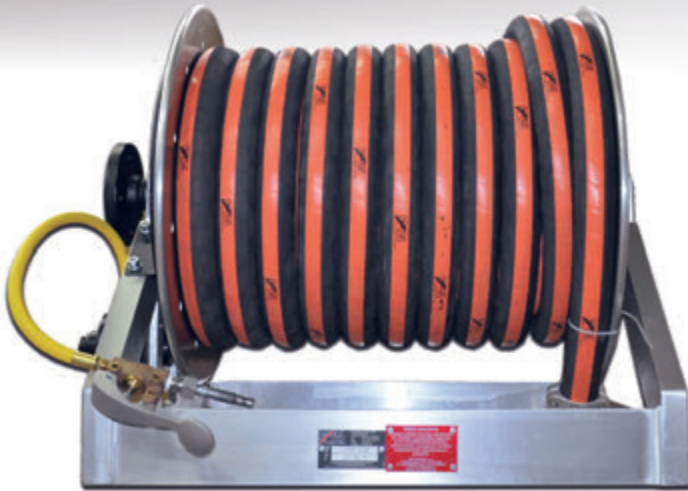
VIP 40



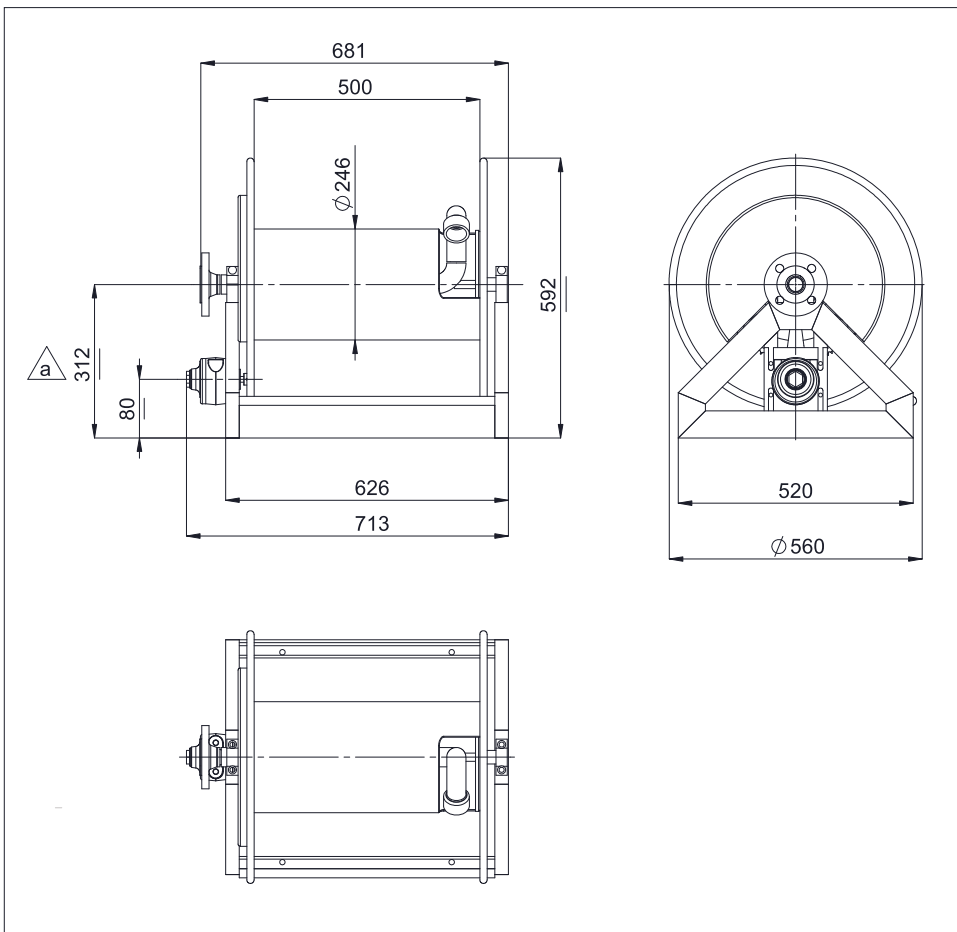
- **Special use
in LPG-Road Tankers**
- **EX-Proof pneumatic motor**
- **Up to 40 meters of LPG-Hose in DN32**
- **Connections: Inlet DN32 – Outlet G 1¼" (outer thread)**
- **Possibility of customized versions**
- **Grooved ball bearings sealed on both sides**
- **Internally installed swivel joint with two bearing tracks**
- **Aluminium lightweight construction (AlMgSi 0,5-6060)**
- **Made in Germany**

VIP40

New Hose-Reel
for LPG-Road Tankers

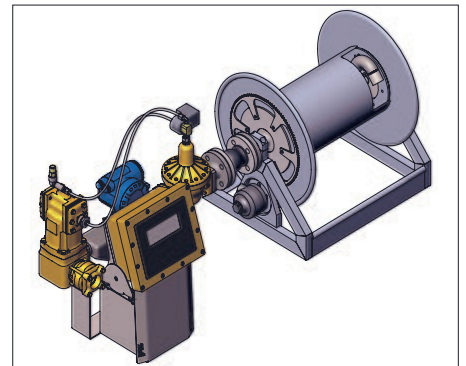


- With just over 30 kg is this Hose Reel about 50% lighter than conventional constructions made from steel
- More compact and space saving by effective configuration of the components
- Option of tailor-made solutions
- No corrosion of the structural parts



Supply options:

- Including the LPG-Hose
- Including the measuring system LPG-Control MID400



Construction and design changes are expected

FAS
Flüssiggas-Anlagen

FAS
modern industrial solutions

Peiner Str. 217, 38229 Salzgitter, Germany
Tel. + 49 5341 86 97 30 • Fax. + 49 5341 86 97 11 • info@fas-engineering.de
www.fas.de • www.fas-engineering.de